



# PVP1100 to PVP5200 String Inverters

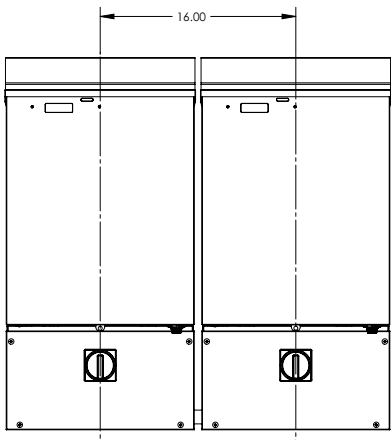
## Proven Reliability – Now With An Integrated AC and DC PV System Disconnect

PV Powered continues to deliver industry leading reliability and technical innovations that lower the cost of installation. The addition of a factory-integrated AC and DC PV System Disconnect that exceeds UL and NEC requirements is exactly what you have come to expect from PV Powered.

Our inverter architecture with deep software integration and significantly lower parts count is the foundation of PV Powered's industry-leading reliability. Validated by sophisticated reliability modeling and rigorous endurance testing we are confident in our claim of lowest lifetime cost.

The new integrated PV System Disconnect reduces total installation interconnects from 15 to 5, eliminating common failure points. Optimally placed knockouts provide a variety of conduit routing options with minimized bending requirements further saving on installation time and material costs. Our robust testing of the switch mechanism to UL 98 standards ensures inspector approval.

PV Powered's string inverters are backed by the industry's first nation-wide ten year warranty and a service reimbursement program unparalleled in the industry. Optional performance monitoring is available which includes low cost, secure web-based access to your system's status and performance history.



Example of Side-by-side Flush Mounting on 16" Intervals

### FEATURES



#### Industry-Leading Reliability

- Endurance tested to 20 year operating life
- Significant software integration versus complex hardware design
- Lowest part counts and fewest interconnects eliminate common failure points
- Field-proven with thousands of units installed nationwide

#### Integrated AC and DC PV System Disconnect

- Robust testing of switch mechanism to UL98 standard ensures inspector approval
- Single AC and DC switch visible and lockable in the OFF position
- Internal wire raceway isolates the conductors for each circuit, AC, DC, and LV DC communications
- Internal wire raceway easily accommodates up to four inverters side-by-side
- UL 98 and NEC 690 compliant
- Direct-to-wall surface enclosure mounting design allows for easy back entry installation

#### Easy Installation

- Factory integrated inverter and PV System Disconnect eliminates the need for extra equipment
- Interconnections reduced from 15 to 5 points, saving installation time and material costs
- Field-configurable inverter grounding scheme with simple jumper selection
- Optimally placed knockouts for a variety of conduit routing with minimized bending

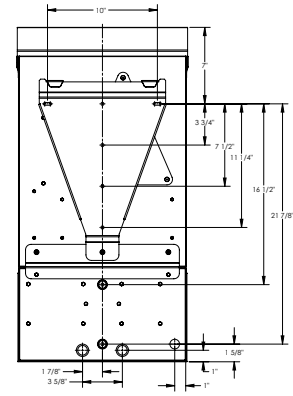
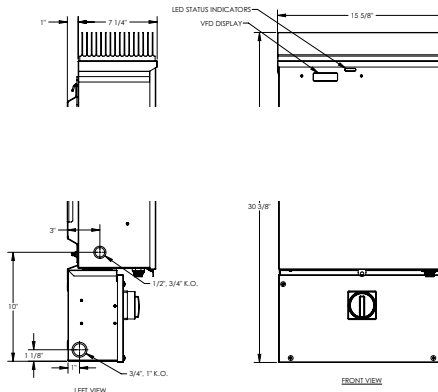
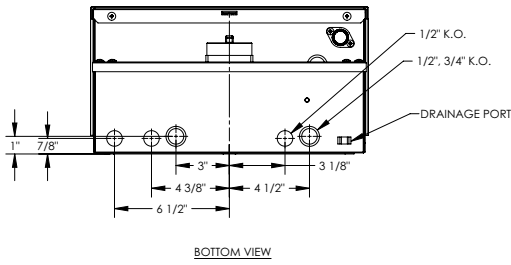
#### Installer-Focused Support

- No special clubs or purchase requirements to get the best technical support in the industry
- Live phone support
- \$150 service reimbursement that sets the industry standard for RMA compensation
- Optional performance monitoring available

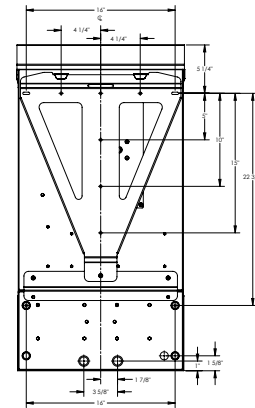
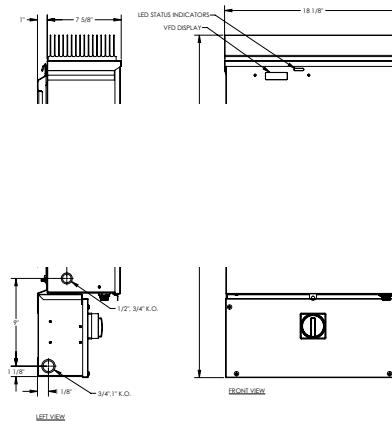
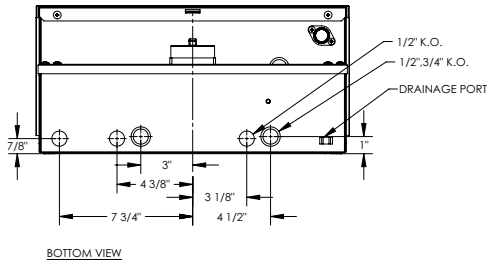


## DIMENSIONS

### PVP1100 to PVP3500



### PVP4600, PVP4800, PVP5200



## ELECTRICAL SPECIFICATIONS

MODEL	PVP1100	PVP2000	PVP2500	PVP2800	PVP3000	PVP3500	PVP4600	PVP4800	PVP5200
Continuous Output Power (watts)	1100	2000	2500	2800	3000	3500	4600	4800	5200
Weighted CEC Efficiency (%)	90.5	92	94.5	92	93.5	95.5	95.5	96	96
Maximum DC Input Voltage (VOC)	500	500	500	500	500	500	500	500	500
DC Voltage Operating Range (V)	115-450	115-450	140-450	180-450	170-450	200-450	205-450	200-450	240-450
DC Minimum Start Voltage	130	130	155	195	185	215	220	215	255
DC Isc Maximum Current (A)	26	26	26	26	26	26	48	48	48
DC Imp Nominal Current (A)	10	18	20	16	18	18	25	26	25
AC Maximum Continuous Current (Amps)	10	10	12	14	13	15	23	23	23
AC Nominal Voltage (V)	120	240	240	208	240	240	208	240	240
AC Output Voltage Range (V)	105.6-132.6	211-264	211-264	183-229	211-264	211-264	183-229	211-264	211-264
AC Frequency Range (Hz)	59.3-60.5	59.3-60.5	59.3-60.5	59.3-60.5	59.3-60.5	59.3-60.5	59.3-60.5	59.3-60.5	59.3-60.5

## MECHANICAL SPECIFICATIONS

MODEL	PVP1100	PVP2000	PVP2500	PVP2800	PVP3000	PVP3500	PVP4600	PVP4800	PVP5200	
Inverter with Factory-Integrated AC and DC PV System Disconnect										
NEMA 3R Steel Enclosure										
Wall Mounted with Bracket Included										
Weight (lbs)	55	65	70	70	80	85	135	135	135	
Inverter with Disconnect Dimensions	30 3/8" H x 15 5/8" W x 8 1/4" D	30 3/8" H x 15 5/8" W x 8 1/4" D	30 3/8" H x 15 5/8" W x 8 1/4" D	30 3/8" H x 15 5/8" W x 8 1/4" D	30 3/8" H x 15 5/8" W x 8 1/4" D	30 3/8" H x 15 5/8" W x 8 1/4" D	30 3/8" H x 15 5/8" W x 8 1/4" D	35" H x 18 1/8" W x 8 5/8" D	35" H x 18 1/8" W x 8 5/8" D	35" H x 18 1/8" W x 8 5/8" D

## AGENCY APPROVALS

MODEL	PVP1100	PVP2000	PVP2500	PVP2800	PVP3000	PVP3500	PVP4600	PVP4800	PVP5200
-------	---------	---------	---------	---------	---------	---------	---------	---------	---------

UL 98 13th Edition, Enclosed and Dead-Front Switches, UL 1741 Nov 2005 Revision, IEEE 1547 Compliant, FCC Class A & B